

Universal Supply Air Damper 3-Wire Power Open/Power Close

- DEPENDABLE POWER OPEN/POWER CLOSE/MODULATING
- LED INDICATORS FOR FULL OPEN AND CLOSED POSITIONS
- LED INDICATORS FLASH WHEN BLADE IS MOVING
- INSULATION PAD UNDER MOTOR
- AVAILABLE SIZES: 6", 7", 8", 9", 10", 12", 14", 16", 18" & 20"
- LONG-LIFE ACTUATOR
- 5 YEAR FACTORY WARRANTY
- WORKS WITH MOST AFTERMARKET ZONING SYSTEMS
- WORKS WITH CARRIER/BRYANT/ION ZONING SYSTEMS

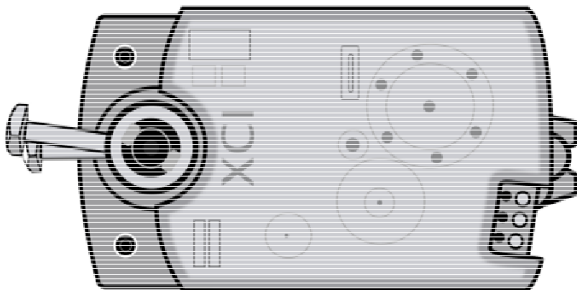


The XCI PUC-series low pressure two-position & modulating damper was developed for precise control of supply air in the HVAC duct system. The solid aluminum shaft provides a lifetime of service. The damper actuator with built-in LED lights is designed for years of care-free operation. The power open/power close design guarantees precise control of supply air into each zone. Poron® rubber blade edges provides a positive seal for the blade. **Our gasketed damper blade is designed to compensate when installation conditions are not exact and the damper is not perfectly round.** Long-life nylon bushings insure a quiet, low friction operation of the damper. Heavy-duty galvanized steel cylinder provides strength to keep the damper round. One crimped end and one straight end allows for flexible installation. 15-Second operation to full open or closed position. A minimum open position can be set to bleed air for ventilation or duct balancing.

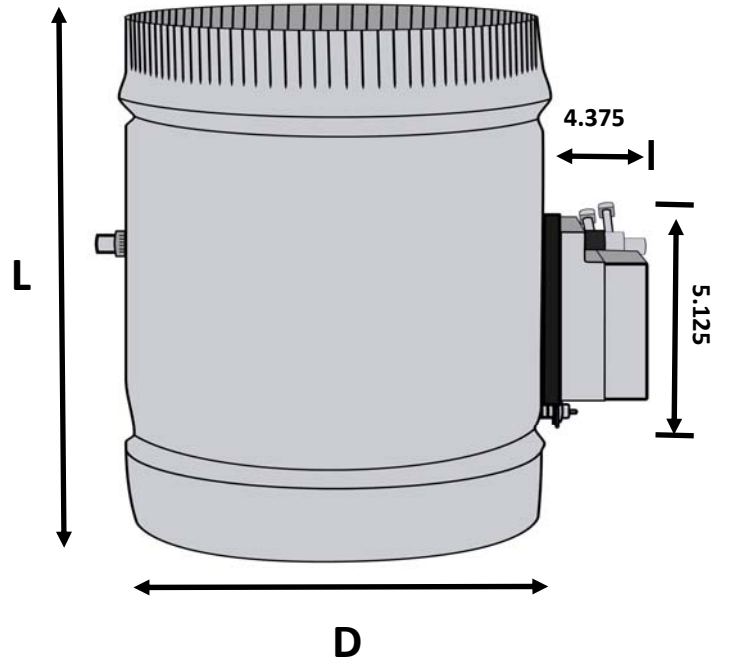
- **QUALITY DESIGN**
- **SUPERIOR FEATURES**
- **FLEXIBLE INSTALLATION**

SPECIFICATIONS

Power	24VAC, 2 VA typical (3 VA Max)
Actuator	XCI POCM Brushless Motor Design 10 in-lb Torque Power-Open/Power-Close 15 Second Operation Cycle Max 90 Degree Travel
Indicator	LED Indicates Full Open or Close
Wiring	3 Screw Terminals PO, PC, Common Use 18/3 Solid Core Wire



Part Number	D <i>Cylinder Diameter</i> (inches)	L <i>Cylinder Length</i> (Inches)
PUC06	6	12
PUC07	7	12
PUC08	8	12
PUC09	9	12
PUC10	10	12
PUC12	12	12
PUC14	14	14
PUC16	16	16
PUC18	18	18
PUC20	20	20



6" thru 10" - 24 ga. G90 Galvanized

12" thru 20" - 22 ga. G90 Galvanized

